

Trough

Multi-Level Drink Station



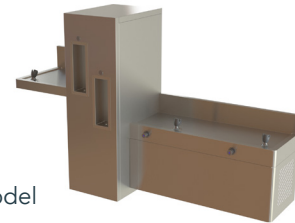
AS-1428
COMPLIANT



WaterMark
AS/NZS 3718 Lic. WMKA0034



Senior Model



Junior Model

Simcraft Products has custom designed a multi-level refrigerated drinking station particularly suited to education projects due to its differing height design. The unit is crafted from 1.2mm thick 304 grade stainless steel with reinforced stainless steel frame. Designed to ensure compliance with Australian accessibility standards, the trough's design features full accessibility for wheelchair users while maintaining the ability to service high-traffic applications. The unit comes pre-plumbed as standard with Lead-Safe or Lead-Free bubblers and includes a premium chiller unit tested to ensure cold water delivery which stands up to hot Australian days. Supplied as standard with heavy duty wall-hung brackets.

Design Features

- Multi-level design to suit Junior and Senior Schools
- Pre-plumbed with Lead-Safe or Lead-Free G316 rubber mouth-guard bubblers and valves
- Piezo electronic push buttons recessed bottle fillers with automatic hygiene rinse to flush lines
- Triple action filter for purified drinking water
- Premium 72 litre per hour chiller unit enclosed in vandal resistant shroud with access panel
- External radius safety corners
- 2 bubbler model for low traffic areas available
- AS1428 wheelchair access
- 1.2mm 304 grade S.S. No. 4 satin finish
- Supplied with wall brackets

Sample Spec

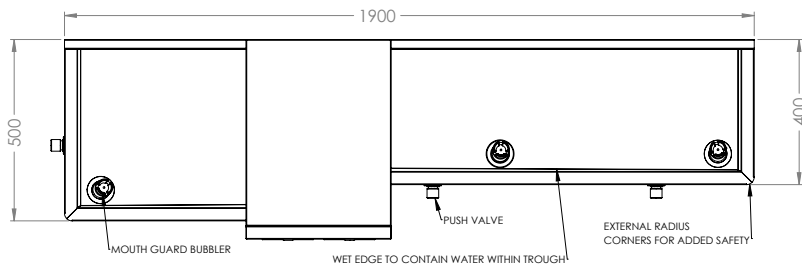
SIMCRAFT Products S.S. Multi-Level Drinking Station - [Junior/Senior](#) model with [lead-safe/lead-free](#) push button valves & safety rubber bubblers, recessed piezo bottle fillers with hygiene rinse, wheelchair access, premium enclosed Frigmac chiller unit and concealed triple action single cartridge filter.

Options

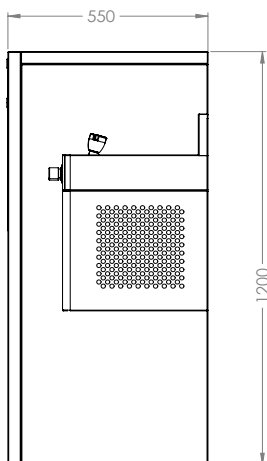
Model: Junior or Senior

Bubblers: Lead-Safe or Lead-Free

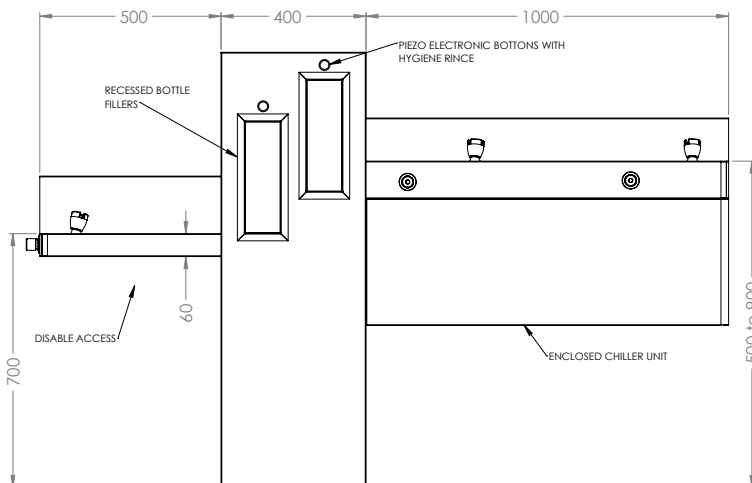
Plan



Side View



Front Elevation



How to order

SMLDS . S

A B

Multi-Level Drink Station, Senior

Order Key

A = Product Code

B = Model

S : Senior School

J : Junior School

www.simcraftproducts.com.au

(08) 9258 3033

quotes@simcraftproducts.com.au

Simcraft Products

108 Radium Street,
Welshpool WA 6016



SIMCRAFT

Details are subject to change without notice. Please refer to simcraftproducts.com.au for the most current information. Allow +/- 5mm tolerance for dimensions

Certified System

Quality
ISO 9001