

**PROUDLY  
AUSTRALIAN  
MADE**

# MODEL FRCS Refrigerated Water Chiller

These refrigerated water coolers are designed to be installed underneath a school drinking trough. It can be installed along with a new drinking trough or can be fitted underneath an existing drinking trough thus saving on the cost purchasing new troughs, faucets and plumbing installation.



#### **Water Supply**

Mains Water Supply



#### **Dimensions (mm)**

Cabinet 850W, with Mounting bracket 950W x 340D x 280H (Boxed Measurements 1010W x 370D x 310H)



#### **Weight**

38kgs (Boxed Weight 40kgs)



#### **Cooling System**

R134a refrigerant, compressor



#### **Colour**

Stainless Steel Cabinet



#### **Power Supply**

220/240volt, 50hz, 1ph, 2.6amps, 395 watts, IP 33

## Description and Features

This is a **wall mounted** refrigerated water chiller.

It must be **mounted horizontally**.

**Must not be installed inside a cupboard** or an enclosed space.

This water cooler is fitted with a **low ambient temperature control** to help prevent the refrigeration system from running in cooler weather (21 degrees C or below) and extending the life of the refrigeration system. *Children don't need to be drinking cold water when the outside temperature is below 21 degrees C.*

All the electrical wiring is **double insulated**.

All **water lines and fittings** are **insulated** to prevent condensation.

Has a **10amp power plug top**.

Will produce approximately **72 litres of cold water per hour**.

Water fittings **15mm female thread** (water in and water out).

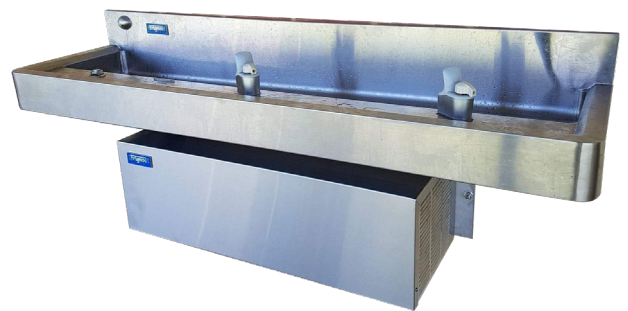
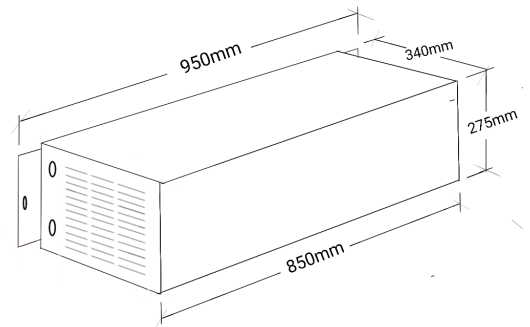
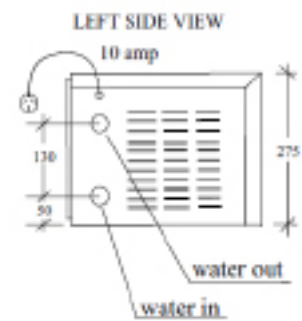
**Maximum working water pressure 700kpa.**

The outside and inside panelling in **stainless steel**.

All the nuts, bolts and screws are **stainless steel**.

Has **heavy gauge** 6mm x 100mm x 250mm stainless steel **wall mounting brackets**.

A **two year warranty** on the refrigeration system.



## Call us today

**Frigmac Pty Ltd**

1300 805 732

info@frigmac.com.au

For more information,

visit [www.frigmac.com.au](http://www.frigmac.com.au)



Please note: All specifications, dimensions, parameters and performances subject to change without notice.