

# Bench

## Central Single Bowl



The Simcraft Modular Central Single Bowl Bench is hand-crafted from 1.2mm 304 grade stainless steel, and is reinforced with 2mm galvanised sheet for durability. The unit features one centrally-positioned bowl with drainage sections on either side. A wet edge runs along the entire circumference of the bench, ensuring water containment, and the bench can accommodate tapware mounting on the rear hob. The unit is mounted on a durable stainless steel frame with adjustable feet. Comes with a European 90mm basket plug and waste with 50mm connection for each bowl as standard and can be supplied with optional overflow kit. The Simcraft Modular Bench system is a cost effective and flexible solutions for kitchen fit-out projects in canteens, restaurants, cafes and commercial kitchens.

## Design Features

- 1.2mm 304 grade S.S. bench top
- 2mm galv substrate bench top support
- 1.2mm 304 grade S.S. tubular undershelf
- 150mm boxed splashback
- 450L x 450W x 300D bowl
- 38mm DIA 304 grade S.S. tube legs
- 3 standard sizes or custom size
- Height adjustable feet
- 90mm European waste with 50mm connection
- Supplied in kit form ready for on-site assembly

## Sample Spec

SIMCRAFT Products S.S. Central Single Bowl Bench - 1350/1500/1800L x 600W x 900H with 150mm rear splashback, 450L x 450W x 300D bowl with 90mm European basket plug and waste with 50mm connection, tubular legs with adjustable feet and tubular undershelf

# Options

**Size:** 3 standard lengths or custom sizes available

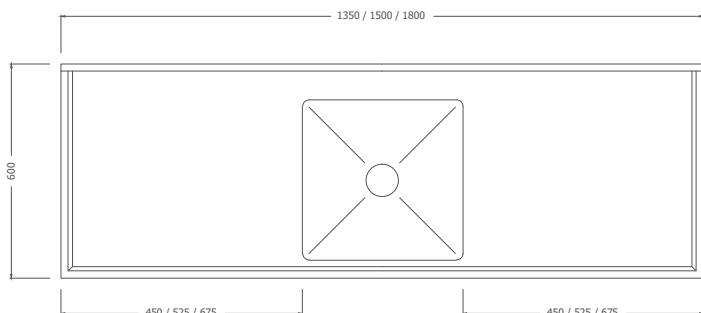
# Standard Sizes

1350

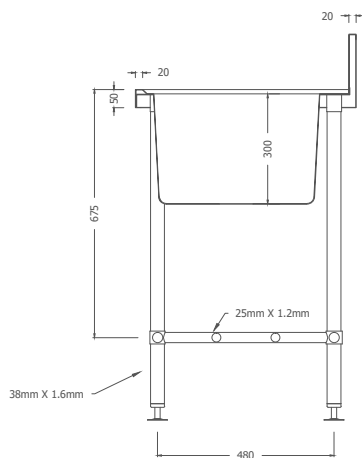
1500

1800

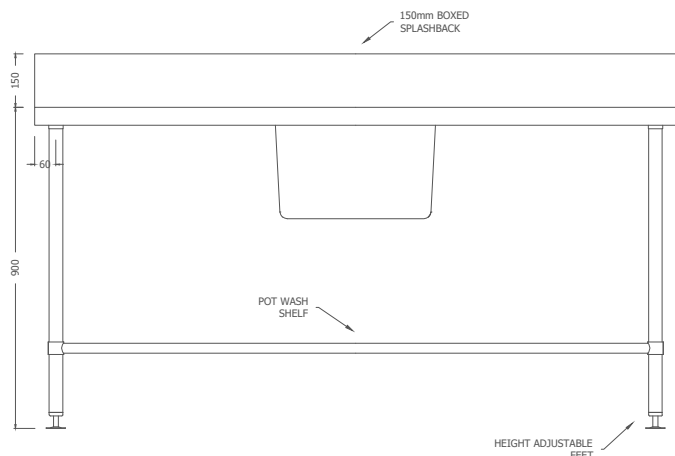
## Plan



## Section



## Front Elevation



## How to order

BCCSB . 1800

A B

Central Single Bowl Bench,  
1800mm Long

## Order Key

A = Product Code

B = Bench Length (mm)

1350

1500

1800

[www.simcraftproducts.com.au](http://www.simcraftproducts.com.au)

(08) 9258 3033

[quotes@simcraftproducts.com.au](mailto:quotes@simcraftproducts.com.au)

**Simcraft Products**

7 Hantke Place,  
Welshpool WA 6016



**SIMCRAFT**

Details are subject to change without notice. Please refer to [simcraftproducts.com.au](http://simcraftproducts.com.au) for the most current information. Allow +/- 5mm tolerance for dimensions

Certified System

Quality  
ISO 9001