

Bench

Left Hand Twin Bowl



The Simcraft Modular Left Hand Twin Bowl Bench is hand-crafted from 1.2mm 304 grade stainless steel, and is reinforced with 2mm galvanised sheet for durability. The unit features two bowls set into the left hand end of the unit, with a drainage section at the other end. A wet edge runs along the entire circumference of the bench, ensuring water containment, and the bench can accommodate tapware mounting on the rear hob. The unit is mounted on a durable stainless steel frame with adjustable feet. Comes with a European 90mm basket plug and waste with 50mm connection for each bowl as standard and can be supplied with optional overflow kit. The Simcraft Modular Bench system is a cost effective and flexible solutions for kitchen fit-out projects in canteens, restaurants, cafes and commercial kitchens.

Design Features

- 1.2mm 304 grade S.S. bench top
- 2mm galv substrate bench top support
- 1.2mm 304 grade S.S. tubular undershelf
- 150mm boxed splashback
- 450L x 450W x 300D bowls
- 38mm DIA 304 grade S.S. tube legs
- 2 standard sizes or custom size
- Height adjustable feet
- 90mm European waste with 50mm connection
- Supplied in kit form ready for on-site assembly

Sample Spec

SIMCRAFT Products S.S. Left Hand Twin Bowl Bench - 1800/2400L x 600W x 900H with 150mm rear splashback, 450L x 450W x 300D bowls with 90mm European basket plug and waste with 50mm connection, tubular legs with adjustable feet and tubular undershelf

Options

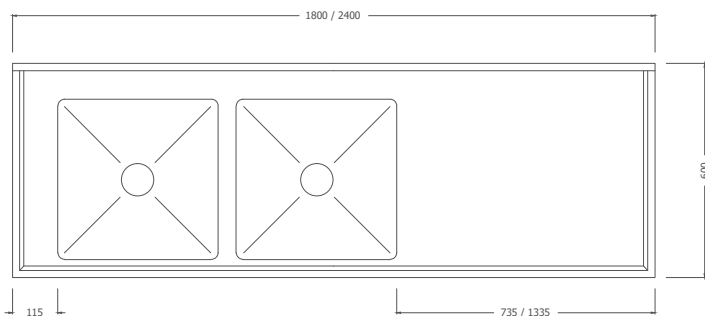
Size: 2 standard lengths or custom sizes available

Standard Sizes

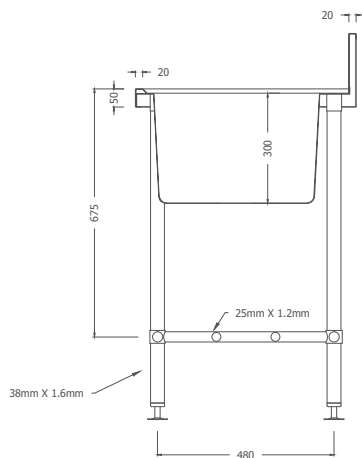
1800

2400

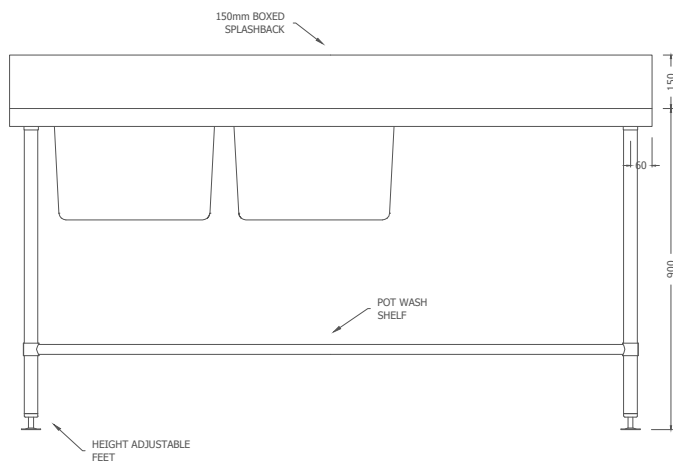
Plan



Section



Front Elevation



How to order

BCLHTB . 1800

A B

Left Hand Twin Bowls Bench,
1800mm Long

Order Key

A = Product Code

B = Bench Length (mm)

1800

2400

www.simcraftproducts.com.au

(08) 9258 3033

quotes@simcraftproducts.com.au

Simcraft Products

7 Hantke Place,
Welshpool WA 6016



Details are subject to change without notice. Please refer to simcraftproducts.com.au for the most current information. Allow +/- 5mm tolerance for dimensions

Certified System

Quality
ISO 9001