

Bench

Central Twin Bowl



The Simcraft Modular Central Twin Bowl Bench is hand-crafted from 1.2mm 304 grade stainless steel, and is reinforced with 2mm galvanised sheet for durability. The unit features two centrally-positioned bowls with drainage sections on either side. A wet edge runs along the entire circumference of the bench, ensuring water containment, and the bench can accommodate tapware mounting on the rear hob. The unit is mounted on a durable stainless steel frame with adjustable feet. Comes with a European 90mm basket plug and waste with 50mm connection for each bowl as standard and can be supplied with optional overflow kit. The Benchcraft Modular Bench system is a cost effective and flexible solutions for kitchen fit-out projects in canteens, restaurants, cafes and commercial kitchens.

Design Features

- 1.2mm 304 grade S.S. bench top
- 2mm galv substrate bench top support
- 1.2mm 304 grade S.S. tubular undershelf
- 150mm boxed splashback
- 450L x 450W x 300D bowls
- 38mm DIA 304 grade S.S. tube legs
- 2 standard sizes or custom size
- Height adjustable feet
- 90mm European waste with 50mm connection
- Supplied in kit form ready for on-site assembly

Sample Spec

SIMCRAFT Products S.S. Central Twin Bowl Bench - 1800/2400L x 600W x 900H with 150mm rear splashback, 450L x 450W x 300D bowls with 90mm European basket plug and waste with 50mm connection, tubular legs with adjustable feet and tubular undershelf

Options

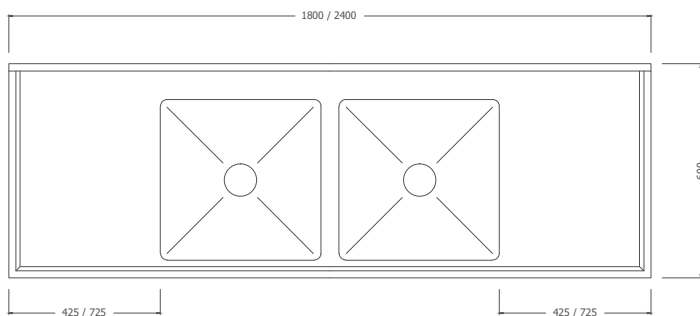
Size: 2 standard lengths or custom sizes available

Standard Sizes

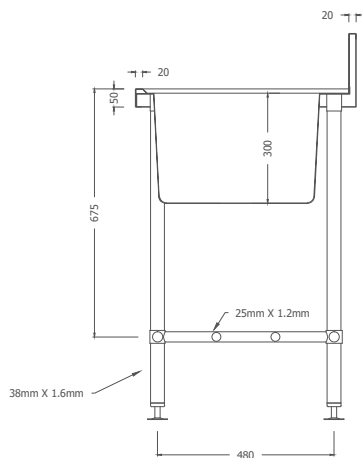
1800

2400

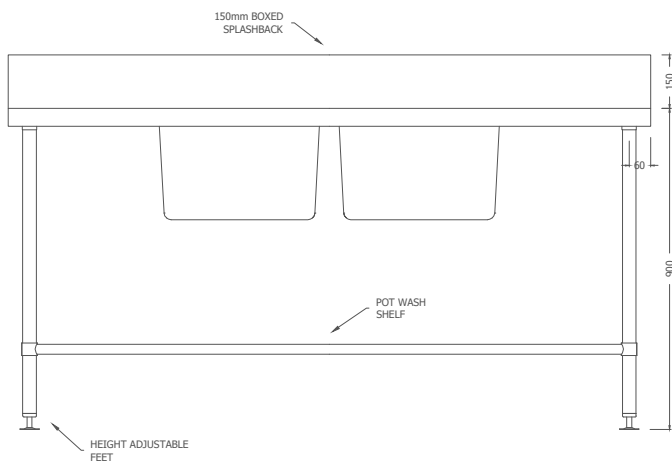
Plan



Section



Front Elevation



How to order

BCCTB . 1800

A **B**

Central Twin Bowls Bench,
1800mm Long

Order Key

A = Product Code

B = Bench Length (mm)

1800

2400

www.simcraftproducts.com.au

(08) 9258 3033

quotes@simcraftproducts.com.au

Simcraft Products

7 Hantke Place,
Welshpool WA 6016



Details are subject to change without notice. Please refer to simcraftproducts.com.au for the most current information. Allow +/- 5mm tolerance for dimensions

Certified System

Quality
ISO 9001