

# Hopper

Slop



The Simcraft Slop Hopper is a heavy duty unit designed for quick, efficient and hygienic disposal of waste. The unit is hand-crafted from 316 grade stainless steel, and features a flushable bowl design and in-built P-trap or S-trap allowing for immediate removal of any waste placed into the unit. The unit features a removable hinged grate for support and storage, and can be manufactured in floor-mounted or wall-hung configurations. Ideal for medical facilities or laboratories.

## Design Features

- Robust stainless steel construction
- 316 grade S.S. satin finish
- Smooth flowing concealed outlet design without crevices for efficient flushing
- Enclosed skirt for easy cleaning to maintain optimum hygiene levels
- Heavy duty S.S. hinged grate with rubber bumpers
- Supplied with 40mm sparge pipe
- P or S-trap 100 DIA outlet
- Wall hung version
- Standard size

### Sample Spec

SIMCRAFT Products S.S. Floor Mounted Slop Hopper - 430L x 665W x 415H with 100mm P-trap/S-trap enclosed in skirt, 40mm sparge pipe and heavy duty grate with rubber bumpers

# Options

**Size:** standard

**Version:** floor mounted or wall hung

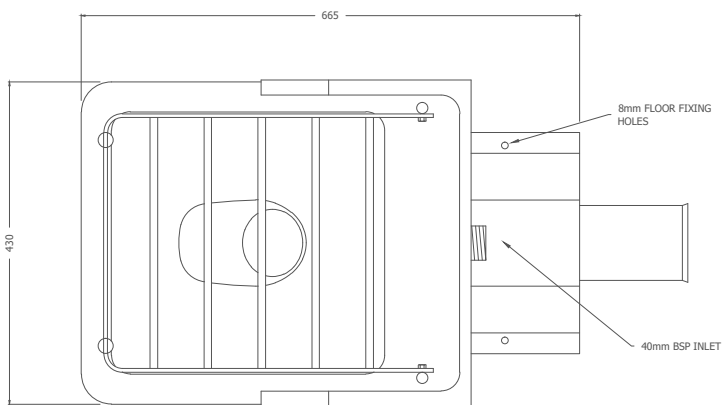
**Trap:** S or P-Trap

# Standard Sizes

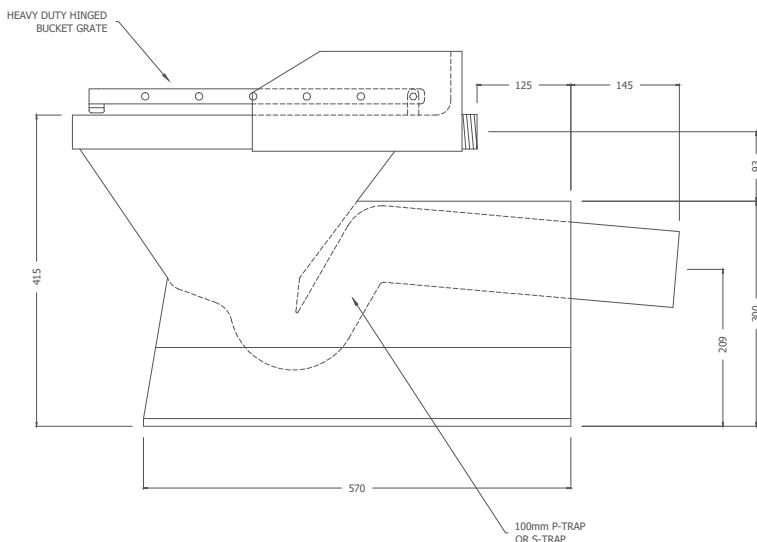
540L  
x  
665W  
x  
415H



## Plan



## Front Elevation



## How to order

SH . FMP

A B

Slop Hopper, Floor Mounted P-Trap

## Order Key

A = Product Code

B = Outlet Size

FMP: Floor Mounted P-Trap

FMS: Floor Mounted S-Trap

WHP: Wall Hung P-Trap

[www.simcraftproducts.com.au](http://www.simcraftproducts.com.au)

(08) 9258 3033

[quotes@simcraftproducts.com.au](mailto:quotes@simcraftproducts.com.au)

**Simcraft Products**

7 Hantke Place,  
Welshpool WA 6016



**SIMCRAFT**

Details are subject to change without notice. Please refer to [simcraftproducts.com.au](http://simcraftproducts.com.au) for the most current information. Allow +/- 5mm tolerance for dimensions

