

Basin

Round Bowl



The Simcraft Round Bowl Basin is an economical and attractive solution suitable for a wide range of applications. The unit is fully pressed from 304 stainless for a seamless surface, and has a bright finish for easy cleaning. This basin is supplied in a standard size, and comes with inset clips and WaterMark certified 50mm waste.

Design Features

- Seamless fully pressed bowl
- 304 grade S.S. No. 4 satin finish
- Bright finish for easy cleaning
- Supplied with inset clips and 50mm waste
- Top mounted
- 3 standard sizes

Sample Spec

SIMCRAFT Products S.S. Inset Round Bowl Hand Basin - Ø260/300/380 ID bowl with inset clips and 50mm waste

Options

Size: 3 standard sizes

Version: insert only

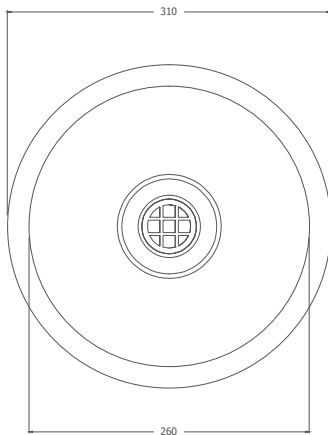
Standard Sizes

Ø260

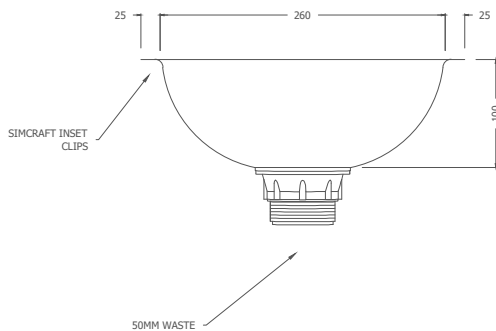
Ø300

Ø380

Plan



Front Elevation



How to order

IRB . 260

A B

Inset Round Bowl Basin,
Ø260mm ID

Order Key

A = Product Code

B = Internal DIA

www.simcraftproducts.com.au

(08) 9258 3033

quotes@simcraftproducts.com.au

Simcraft Products

7 Hantke Place,
Welshpool WA 6016



SIMCRAFT

Details are subject to change without notice. Please refer to simcraftproducts.com.au for the most current information. Allow +/- 5mm tolerance for dimensions