

# Rim

## Conical Flushing



The Simcraft Conical Flushing Rim is an inset waste removal unit fabricated from 304 grade stainless steel (acid-resistant 316 grade available) and is designed to facilitate immediate and hygienic removal of waste. The rim can be provided with a raw edge (as shown above) for welding directly into an existing benchtop. The unit is connected to a flush valve, and when flushed the unit's folded upper lip effectively distributes the flushed water around the top of the cone, from which point the water runs down and flushes all waste from the unit. The unit comes with a 100mm drop outlet as standard for effective removal of both liquid and solid waste. Adjustable S.S. 100mm P-trap can be provided. Suitable for use in hospitals, aged care centres, laboratories and medical facilities.

## Design Features

- Allows quick & hygienic disposal of liquid and solid waste
- 1.2mm 304 grade S.S. No. 4 satin finish
- WaterMark certified
- Concealed internal flushing bowl
- Wet edge detail to contain spills
- 40mm rear inlet
- 100mm waste dropper
- Available in a standard size
- Custom sizes made to order
- Inset or raw edge versions
- S.S P-trap available

### Sample Spec

SIMCRAFT Products S.S. Inset Conical Flushing Rim - 620L X 620W with inset clips, integral conical Ø410mm ID flushing bowl, 40mm inlet and 100mm waste dropper [with P-trap](#)

# Options

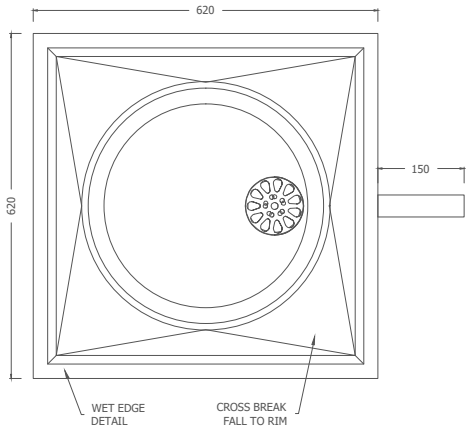
**Size:** standard

**Grade:** commercial 304 or acid resistant 316

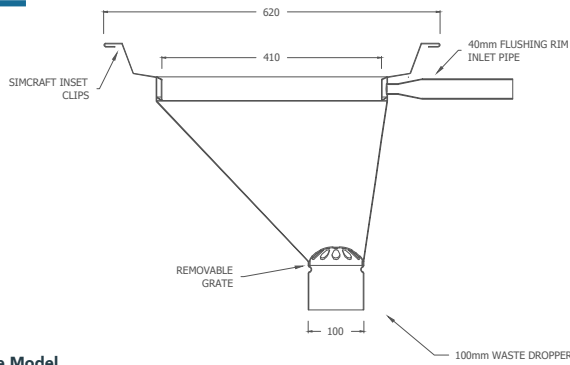
**Version:** inset or raw edge

**Optional P-trap:** 100mm S.S. adjustable P-trap

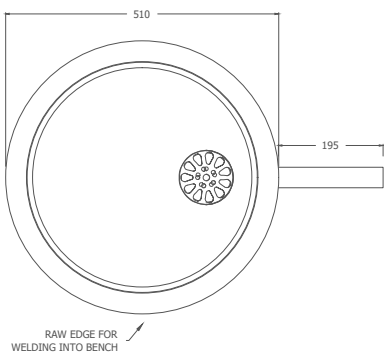
## Plan



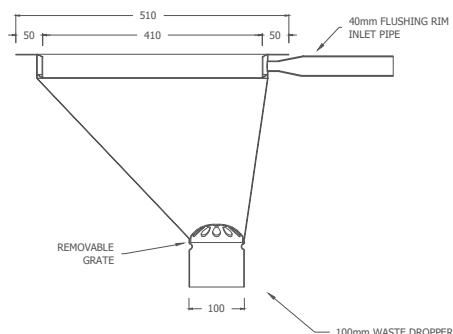
## Section



## Plan - Raw Edge Model



## Section - Raw Edge Model



# Standard Sizes

**Inset Size**

620L x 620W

**Rim Size**

Ø410mm

## How to order

CFR

A

Conical Flushing Rim

## Order Key

A = Product Code

[www.simcraftproducts.com.au](http://www.simcraftproducts.com.au)

(08) 9258 3033

[quotes@simcraftproducts.com.au](mailto:quotes@simcraftproducts.com.au)

**Simcraft Products**

7 Hantke Place,  
Welshpool WA 6016



**SIMCRAFT**

Details are subject to change without notice. Please refer to [simcraftproducts.com.au](http://simcraftproducts.com.au) for the most current information. Allow +/- 5mm tolerance for dimensions