

Sink

Floor Cleaners



The Simcraft Floor Cleaners Sink is a floor-mounted version of our popular Cleaners Sink. It is ideal for use by cleaners and janitors of commercial buildings for the removal of waste water from cleaning floors. The sink is crafted from 304 grade stainless steel and has a highly durable design which resists wear and tear. It comes in two standard sizes (21 or 30 Litres) and features a 160mm deep bowl with heavy duty hinged grate to facilitate emptying of mop buckets with a minimum of heavy lifting, as well as providing bucket storage when not in use. Supplied with heavy duty floor brackets. Rear splashback optional.

Design Features

- Radius internal corners for easy cleaning
- 1.2mm 304 grade S.S. No. 4 satin finish
- Heavy duty S.S. hinged grate with rubber bumpers
- Supplied with floor bracket & 50mm waste
- Rear 25mm blade upstand
- Available in 2 standard sizes
- 100mm & 600mm rear upstand options

Sample Spec

SIMCRAFT Products S.S. Floor Mounted Cleaners Sink - [Small/Large](#) sink including [100/600mm](#) rear upstand and 50mm waste outlet.

Options

Size: small or large

Optional Upstand: 100mm or 600mm blade upstand

Standard Sizes

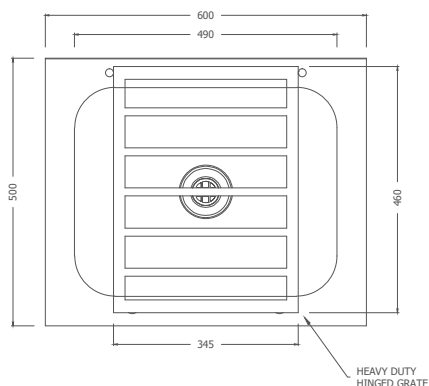
SMALL

500L x 450W x 160D
21 Litres

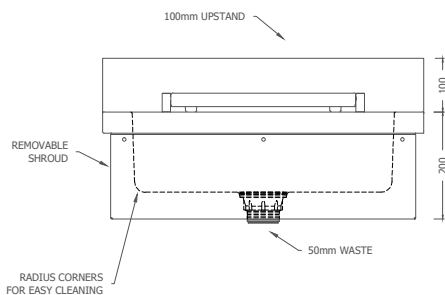
LARGE

600L x 500W x 160D
30 Litres

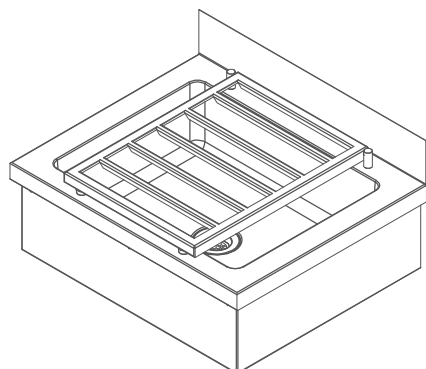
Plan



Front Elevation



Elevation



How to order

FMCLS. L . 100
A B C

Floor Mounted Cleaners Sink, Large,
100mm Rear Upstand

Order Key

A = Product Code

C = Upstand Size (if required)

B = Sink Size

L: Large

S: Small

100mm

600mm

www.simcraftproducts.com.au

(08) 9258 3033

quotes@simcraftproducts.com.au

Simcraft Products

7 Hantke Place,
Welshpool WA 6016



SIMCRAFT

Details are subject to change without notice. Please refer to simcraftproducts.com.au for the most current information. Allow +/- 5mm tolerance for dimensions

Certified System

Quality
ISO 9001