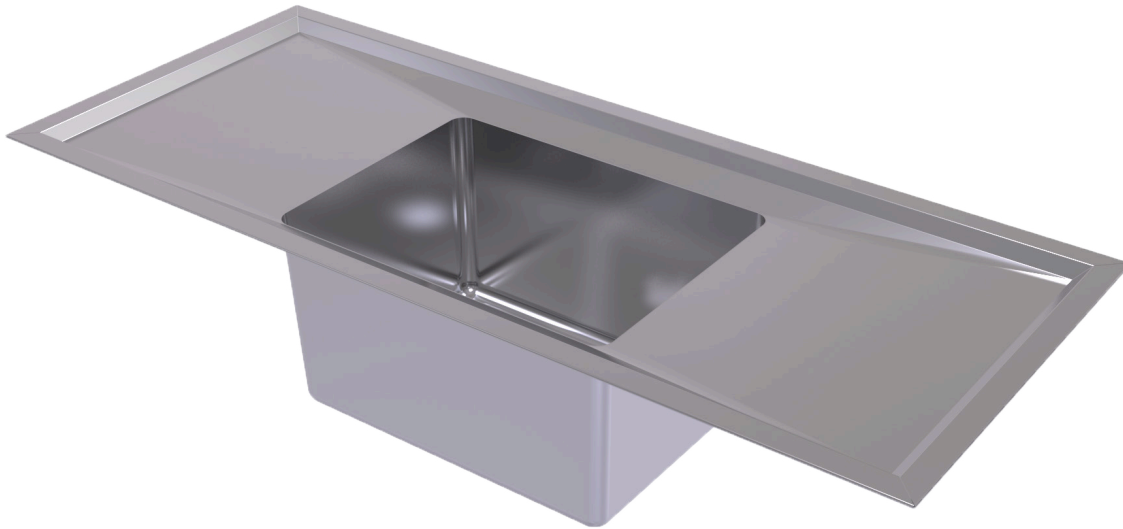


Sink

Single Centre Laboratory



The Simcraft Single Centre Laboratory Sink is hand-crafted from 1.2mm 316 grade acid-resistant stainless steel. The unit features a centrally-positioned Laboratory Bowl available in a range of sizes, with graded drainage sections on either side. A wet edge runs along the entire circumference of the sink, ensuring water containment, and the sink can also be produced with an enlarged rear hob for mounting tapware. Comes with 316 grade acid-resistant 50mm plug and waste as standard and can also include optional overflow kit. Unit can also be produced in 304 grade for use in commercial kitchens or other lighter duty applications.

Design Features

- Single central bowl with double side drainers
- Radius internal corners for easy cleaning
- 1.2mm 316 grade S.S. No. 4 satin finish
- Wet edge detail with sloped drainers
- Supplied with inset clips & 50mm acid resistant G316 waste
- Available in a range of standard lengths with a choice of 5 standard bowl sizes
- Custom lengths made to order
- Top or undermounted configuration
- Overflow waste kit available
- Optional 80mm extend rear hob for tapware

Sample Spec

SIMCRAFT Products S.S. Single Centre Bowl Laboratory Sink - [XXXXL](#) x [XXXW](#) in grade 316 with [BL1/2/3/4/5](#) central bowl, double sided sloped drainers, wet edge detail and 50mm G316 waste outlet.

Options

Size: 2 standard lengths

Bowl: 5 standard sizes

Version: top or undermount

Custom: bespoke sink & bowl sizes available

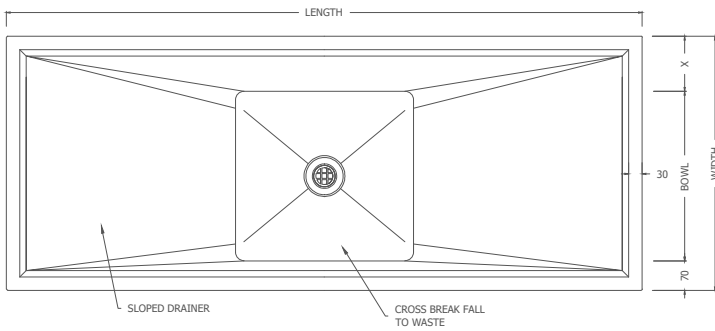
Grade: commercial grade 304 available

Optional Hob: additional 50mm rear flange to accommodate tapware

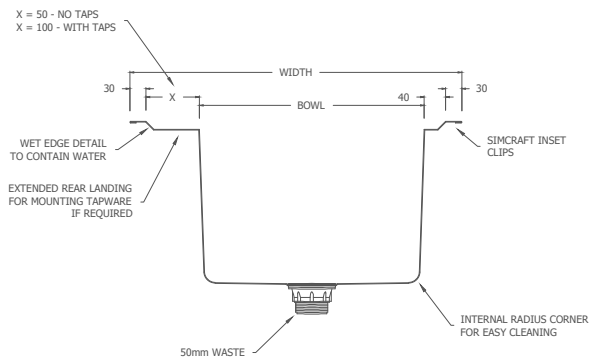
Optional Overflow: overflow waste kit available

Optional Tapware: pre-plumbed tapware or tap holes available

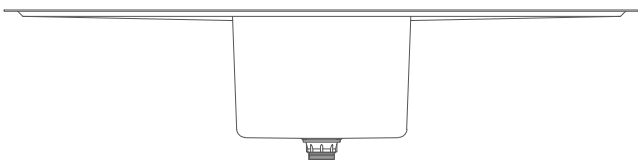
Plan



Section A



Front Elevation



Standard Sizes

Sink Length

1200

1500

Sink Width

Sink width = bowl width + 150mm
(add an additional 50mm for tap holes)

Bowl Size

BL1

BL2

BL3

400Lx400Wx300D

450Lx450Wx300D

450Lx350Wx250D

BL4

BL5

500Lx500Wx300D

600Lx450Wx300D

How to order

LSSBDD . 1500 . BL1

A B C

Laboratory Sink With Single Central Bowl & Double Draining Board, 1500mm Long, 400Lx400Wx300D Bowls

Order Key

A = Product Code

C = Bowl Size (mm)

B = Sink Length (mm)

www.simcraftproducts.com.au

(08) 9258 3033

quotes@simcraftproducts.com.au

Simcraft Products

7 Hantke Place,
Welshpool WA 6016



SIMCRAFT

Details are subject to change without notice. Please refer to simcraftproducts.com.au for the most current information. Allow +/- 5mm tolerance for dimensions