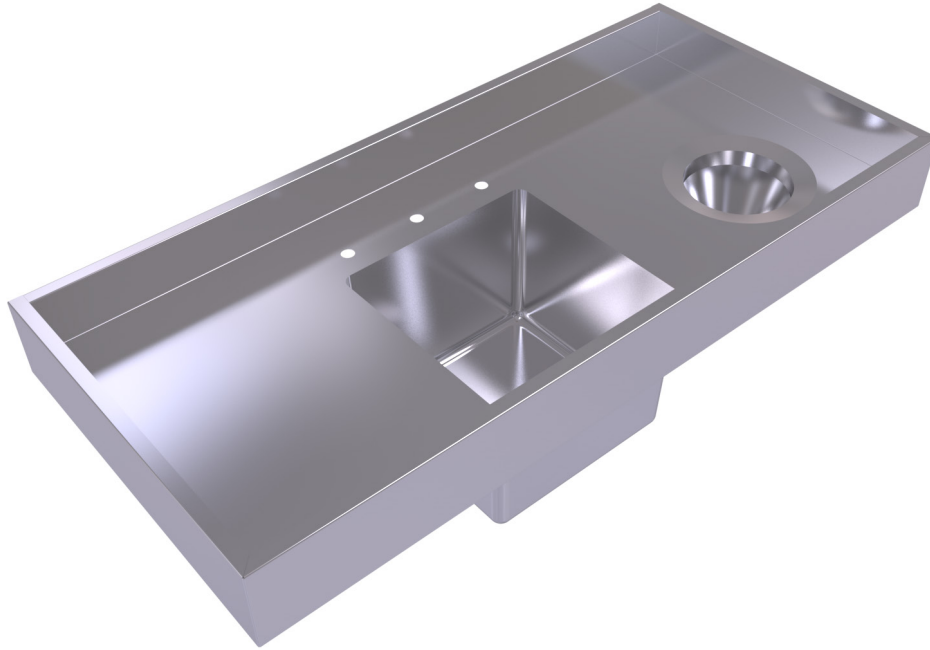


Sink

Conical Cascade



The Simcraft Conical Cascade Sink is a custom-sized benchtop incorporating our popular Conical Cascade Rim along with a bowl for washing purposes. Supplied in 304 grade stainless as standard, but also available in acid-resistant 316 grade, this product provides a benchtop area with circumferential wet edge for containment of waste and conical bowl for quick removal of waste products through the outlet. The Conical Cascade Rim is connected to a water source, and when turned on, the continuous flow of water is distributed evenly around the top of the cone, from which point the constant flow of cascading water removes all waste from the unit as it is placed in there. Available in 50mm outlet. Comes complete with heavy duty brackets for wall mounting.

Design Features

- Allows quick & hygienic disposal of liquid and solid waste
- 1.2mm 304 grade S.S. No. 4 satin finish
- Multi-functional design - conical cascade rim & bowl
- WaterMark certified
- Splash free flush action with a non-turbulent continuous curtain of water
- 150mm upstand to rear & sides to contain spills
- 20mm rear inlet with BSP fitting to rim
- 50mm waste dropper with BSP fitting to rim
- Supplied with wall brackets & 50mm Waste
- Available in a range of standard lengths with a choice of 5 standard bowl sizes
- Custom sizes made to order
- Free standing version

Sample Spec

SIMCRAFT Products S.S. Conical Cascade Sink - [XXXXL](#) x 665W with 150mm upstand to all 4 sides, integral conical Ø200mm cascade rim with 50mm BSB nipple waste and [BL1/2/3/4/5](#) central bowl with 50mm waste outlet.

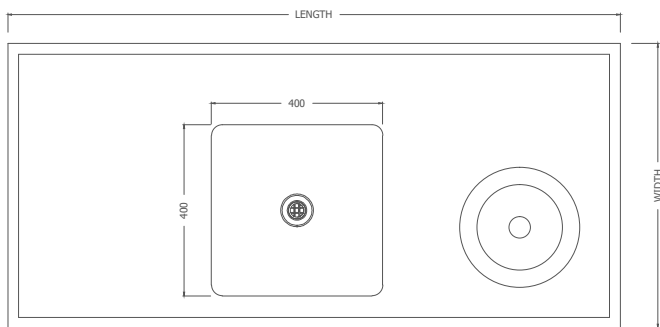
Options

Size: standard or custom

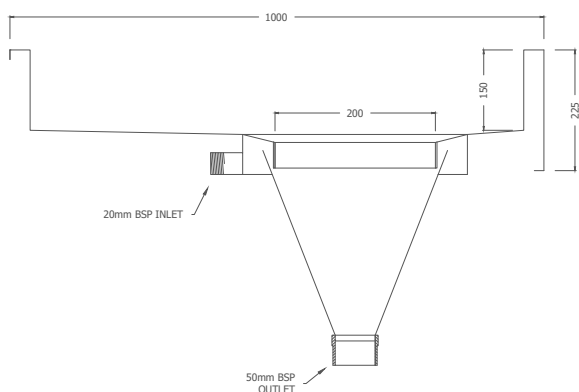
Version: benchtop or free standing

Grade: commercial 304 or acid resistant 316

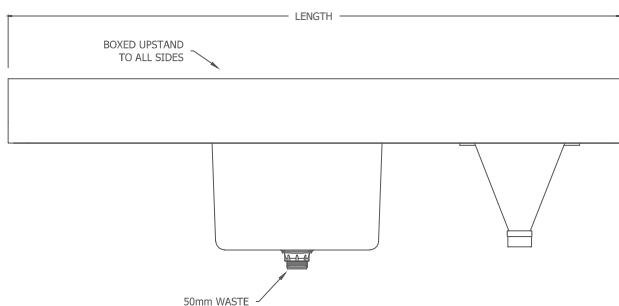
Plan



Section



Front Elevation



Standard Sizes

Sink Length

1500

1800

Bowl Sizes

BL1

BL2

BL3

400Lx400Wx300D

450Lx450Wx300D

450Lx350Wx250D

BL4

BL5

500Lx500Wx300D

600Lx450Wx300D

How to order

CCS . 1500 . BL1

A B C

Conical Cascade Sink, 1500mm Long,
400Lx400Wx300D Bowl

Order Key

A = Product Code

C = Bowl Size (mm)

B = Sink Length (mm)

www.simcraftproducts.com.au

(08) 9258 3033

quotes@simcraftproducts.com.au

Simcraft Products

7 Hantke Place,
Welshpool WA 6016



SIMCRAFT

Details are subject to change without notice. Please refer to simcraftproducts.com.au for the most current information. Allow +/- 5mm tolerance for dimensions

Certified System

Quality
ISO 9001