

Rim

Conical Cascade



The Simcraft Inset Conical Cascade Rim is an inset waste removal unit fabricated from 304 grade stainless steel (acid-resistant 316 grade available) and is designed to facilitate ongoing and hygienic removal of waste. The rim can be provided with a raw edge for welding directly into an existing benchtop. The unit is designed to be connected to a water inlet and when turned on, the continuous flow of water is distributed evenly around the top of the cone, from which point the constant flow of cascading water removes all waste from the unit as it is placed in there. The unit comes with a 50mm outlet as standard. Suitable for use in hospitals, aged care centres, laboratories and medical facilities.

Design Features

- Allows quick & hygienic disposal of liquid and solid waste
- 1.2mm 304 grade S.S. No. 4 satin finish
- WaterMark certified
- Splash free flush action with a non-turbulent continuous curtain of water
- Concealed internal flushing bowl
- Wet edge detail to contain spills
- 20mm rear inlet with BSP fitting
- 50mm waste dropper with BSP fitting
- Available in a standard size
- Custom sizes made to order
- Inset or raw edge versions

Sample Spec

SIMCRAFT Products S.S. Inset Conical Cascade Rim - 420L x 420W with inset clips, integral conical Ø200mm flushing bowl with 20mm rear BSP inlet and 50mm BSP waste dropper outlet

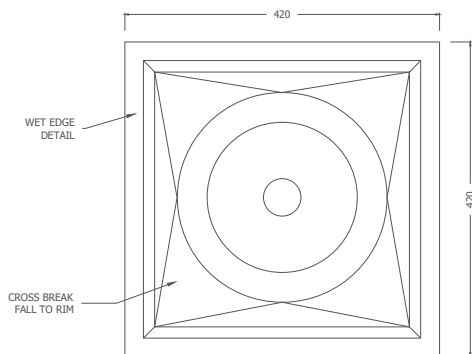
Options

Size: standard

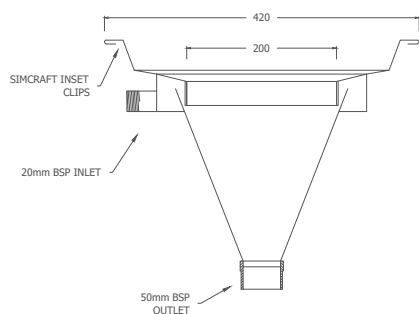
Grade: commercial 304 or acid resistant 316

Version: inset or raw edge

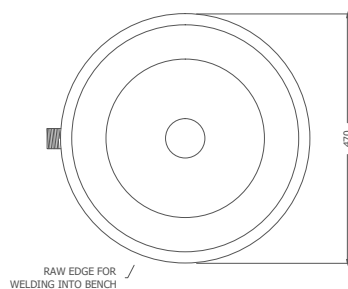
Plan



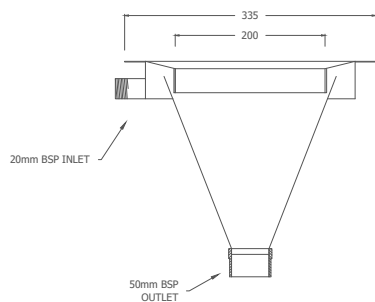
Section



Plan - Raw Edge Model



Section - Raw Edge Model



Standard Sizes



420L x 420W



Ø200mm

How to order

CCR

A

Conical Cascade
Rim

Order Key

A = Product Code

www.simcraftproducts.com.au

(08) 9258 3033

quotes@simcraftproducts.com.au

Simcraft Products

7 Hantke Place,
Welshpool WA 6016



SIMCRAFT

Details are subject to change without notice. Please refer to simcraftproducts.com.au for the most current information. Allow +/- 5mm tolerance for dimensions

Certified System

Quality
ISO 9001