

Sink

Dirty Utility



The Simcraft Dirty Utility Flushing Sink is a multi-functional hygiene workstation which combines two of our most popular base sinks into one heavy duty unit. The unit is crafted from 304 grade stainless (acid-resistant 316 grade optional) and features a Laboratory Bowl on one side, alongside a Conical Flushing Rim which is connected to a flush valve to enable flushing of the sink. This configuration forms an effective hygiene workstation which can handle the disposal of liquid and solid waste in a hygienic fashion via the Conical Flushing Rim, with the Laboratory Bowl providing a washing facility. The benchtop itself can be made in any length and features a wet edge around the full circumference to facilitate containment of water and waste. Comes complete on heavy duty stainless steel frame with undershelf, 150mm rear boxed upstand and stainless plug and waste. Optional increased rear hob for mounting tapware. Can also be produced in the Cascade model whereby the flush-action Conical Flushing Sink is replaced by a Conical Cascade Sink, which allows a continuous non-turbulent flow of water down the sink.

Design Features

- Allows quick & hygienic disposal of liquid and solid waste
- 1.2mm 304 grade S.S. No. 4 satin finish
- Multi-functional design - conical flushing rim & bowl
- WaterMark certified
- Concealed internal flushing bowl
- 150mm boxed upstand to rear
- Wet edge detail to contain spills
- Height adjustable feet
- Available in a standard size
- Custom sizes made to order

Sample Spec

SIMCRAFT Products S.S. Dirty Utility Sink - 1800L x 600W on frame with undershelf and 150mm rear boxed upstand. Integral conical Ø410mm flushing rim with 100mm waste dropper including P-trap and 450Lx450Wx300D bowl with 50mm waste

Options

Size: standard or custom

Grade: commercial 304 or acid resistant 316

Optional Overflow: overflow waste kit available

Optional Tapware: pre-plumbed tapware or tap holes available

Optional P-trap: 100mm S.S. adjustable P-trap

Standard Sizes



1800L x 600W

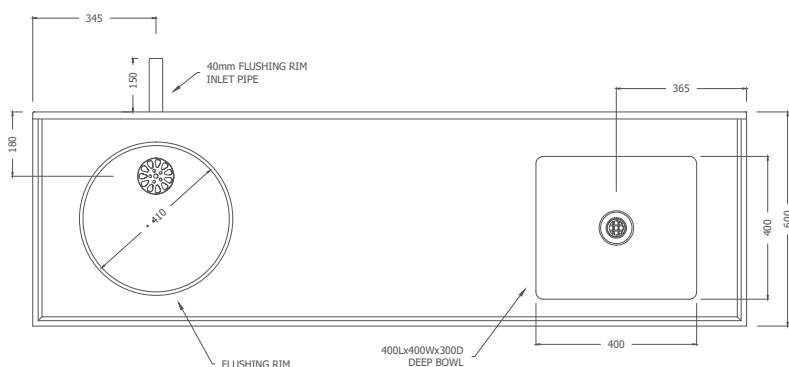


Ø410mm

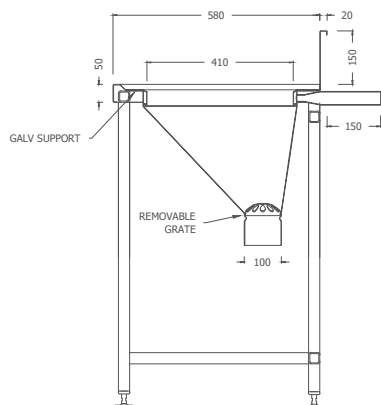


450Lx450Wx300D

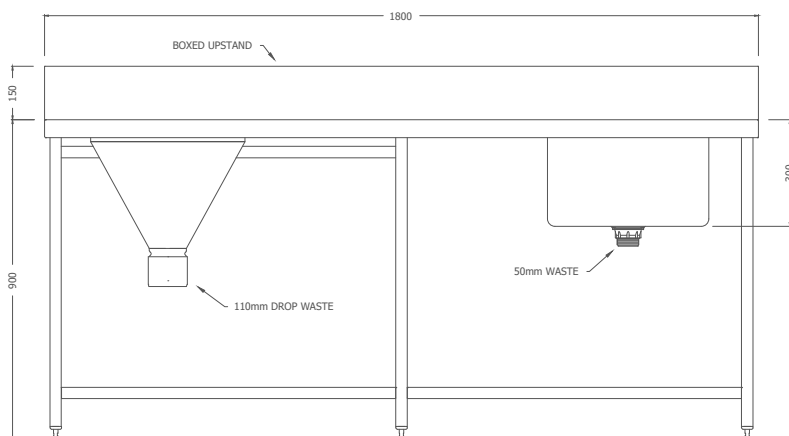
Plan



Section



Front Elevation



How to order

DUT . 1800

A B

Dirty Utility Sink,
1800 Long

Order Key

A = Product Code

B = Bench Length (mm)

www.simcraftproducts.com.au

(08) 9258 3033

quotes@simcraftproducts.com.au

Simcraft Products

7 Hantke Place,
Welshpool WA 6016



SIMCRAFT

Details are subject to change without notice. Please refer to simcraftproducts.com.au for the most current information. Allow +/- 5mm tolerance for dimensions

