

Sink

Conical Flushing



The Simcraft Conical Flushing Sink is a custom-sized benchtop incorporating our popular Conical Flushing Rim. Supplied in 304 grade stainless as standard, but also available in acid-resistant 316 grade, this product provides a benchtop area with circumferential wet edge for containment of waste and central conical bowl for quick removal of waste products through the outlet. The Conical Flushing Rim is connected to a flushing valve, and the bowl's folded top lip provides even distribution of cascading water upon flushing, ensuring rapid and complete flushing of waste down the entire bowl and into the 100mm outlet in the most water-efficient manner possible. Comes complete with heavy duty brackets for wall mounting. Adjustable S.S. 100mm P-trap can be provided.

Design Features

- Allows quick & hygienic disposal of liquid and solid waste
- 1.2mm 304 grade S.S. No. 4 satin finish
- WaterMark certified
- Concealed internal flushing bowl
- Wet edge detail to contain spills
- 40mm rear inlet
- 100mm waste dropper
- Available in a standard size
- Custom sizes made to order
- Supplied with wall brackets
- S.S P-trap available

Sample Spec

SIMCRAFT Products S.S. Conical Flushing Sink - 650L x 600W including wall brackets and Ø410mm ID flushing rim with 40mm inlet and 100mm waste dropper with [P-trap](#)

Options

Size: standard or custom

Version: wall hung or free standing

Grade: commercial 304 or acid resistant 316

Optional P-trap: 100mm S.S. adjustable P-trap

Standard Sizes

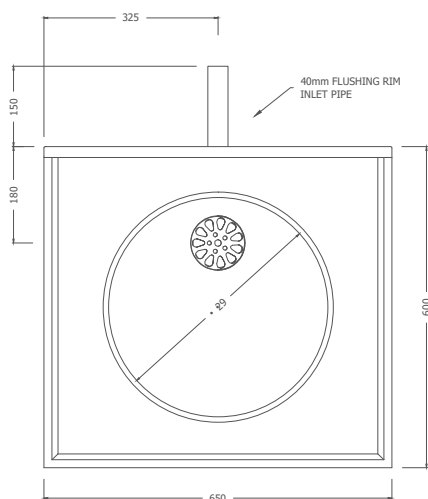


650L x 600W

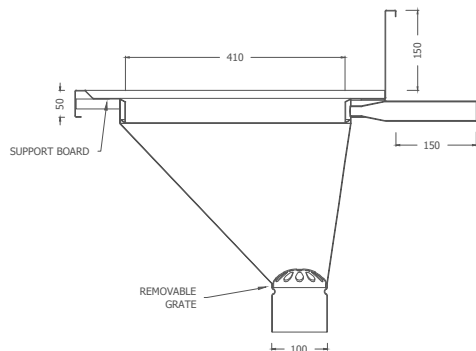


Ø410mm

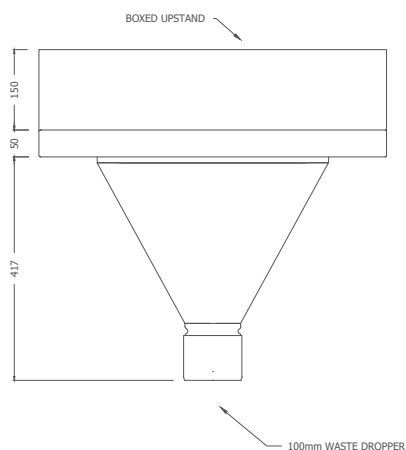
Plan



Section



Front Elevation



How to order

CFS . WB
A B

Conical Flushing Sink,
Wall Hung

Order Key

A = Product Code

B = Vision

WB: Wall Brackets

FS: Free Standing

www.simcraftproducts.com.au

(08) 9258 3033

quotes@simcraftproducts.com.au

Simcraft Products

7 Hantke Place,
Welshpool WA 6016



SIMCRAFT

Details are subject to change without notice. Please refer to simcraftproducts.com.au for the most current information. Allow +/- 5mm tolerance for dimensions

